

# Truck Crane AK 52

As 3- and 4-axle chassis



## Technical Data

Permissible gross vehicle weight (t)	26 / 32
Max. payload (kg)	3,000 (optional 6,000/12,000)
Max. extension length (m)	52.0 (optional 55.0)
Working height up to jib (m)	38.0
Jib extendable (m)	6.3 / 10.3 / 14.3
Jib payload (kg)	3,000 / 2,000 / 1,000
Boom angle (degrees)	85
Jib angle (degrees)	157
Pivoting range (degrees)	endless
Hook speed (m/min)	50
Range for crane operation at 500 kg (m)	40.0
Range for crane operation at 1 t (m)	34.0
Range for crane operation at 2 t (m)	22.0
Range for crane operation at 3 t (m)	17.0
Range for crane operation at 6 t (m)	10.0
Range for crane operation at 12 t (m)	5.0
Range / Working height max. (m) with rotating basket 250 kg (PK 250-D)	37.5 / 53.0
with rotating basket 350 kg (PK 350-D)	33.0 / 51.0
with rotating basket 600 kg (PK 600-D)	30.0 / 51.0
Range / Working height max. (m) with non-rotating basket 250 kg	37.5 / 53.0

All rights reserved for changes. All specified values are maximum values.








The Böcker AK 52 sets new standards in the class of 26 t trucks as 3-axle and in the 32 t class as 4-axle. Lifting 3,000 kg to a sensational radius of 17 m with a height of 31 m it is most likely the strongest crane in an aluminium-steel design which is currently available on the market.

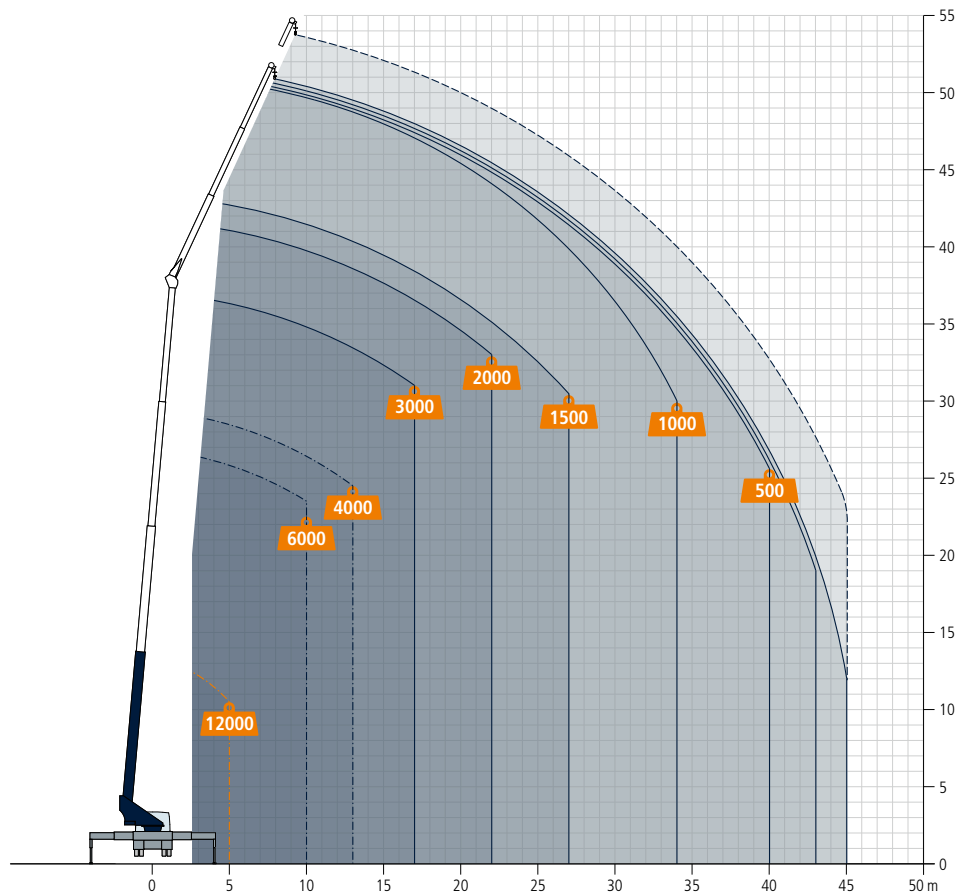
The AK 52 also reaches new heights when being used as a working platform. Its extendable cage with a width of 3.5 meters it impresses with a load capacity of up to 600 kg. Thanks to its small slewing radius, its highly-modern closed hybrid-telescope boom and its fully-hydraulic, telescopic fly jib of 14 m it is perfect for your job site even when working in tight spaces!

Available with **Böcker**Connect

**Böcker**  
MY WAY TO THE TOP

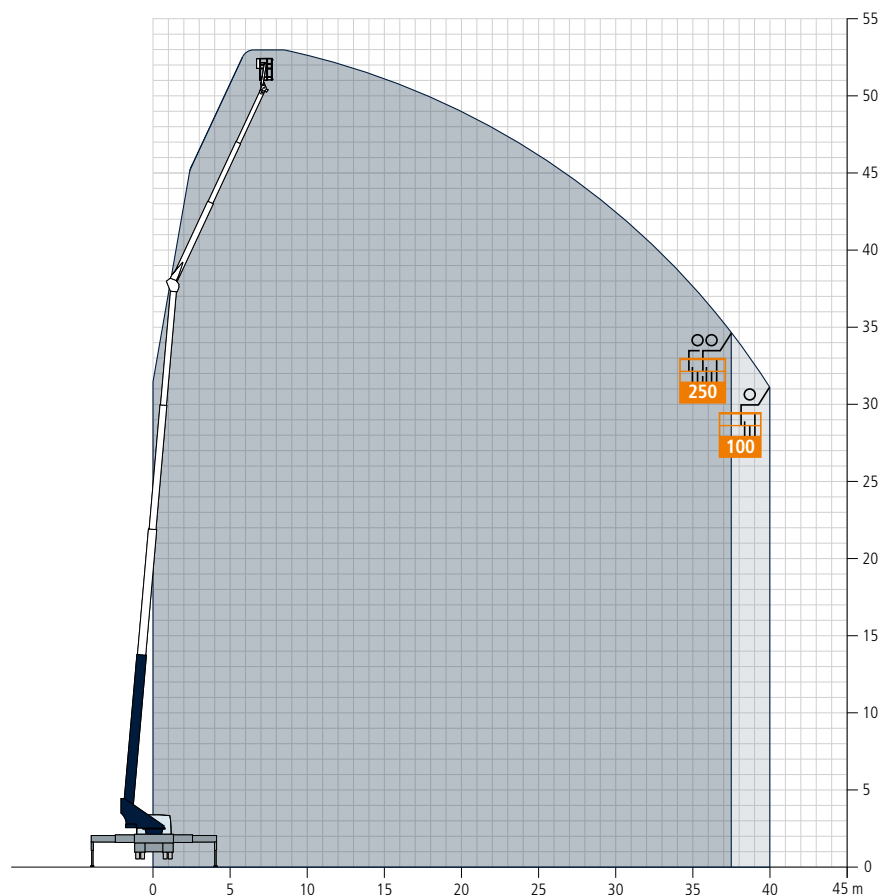
### Working range crane operation

-  Load in kg
-  Single-fall operation
-  Two-fall operation
-  Four-fall operation
-  With jib-extension (3 m)



### Working range platform operation

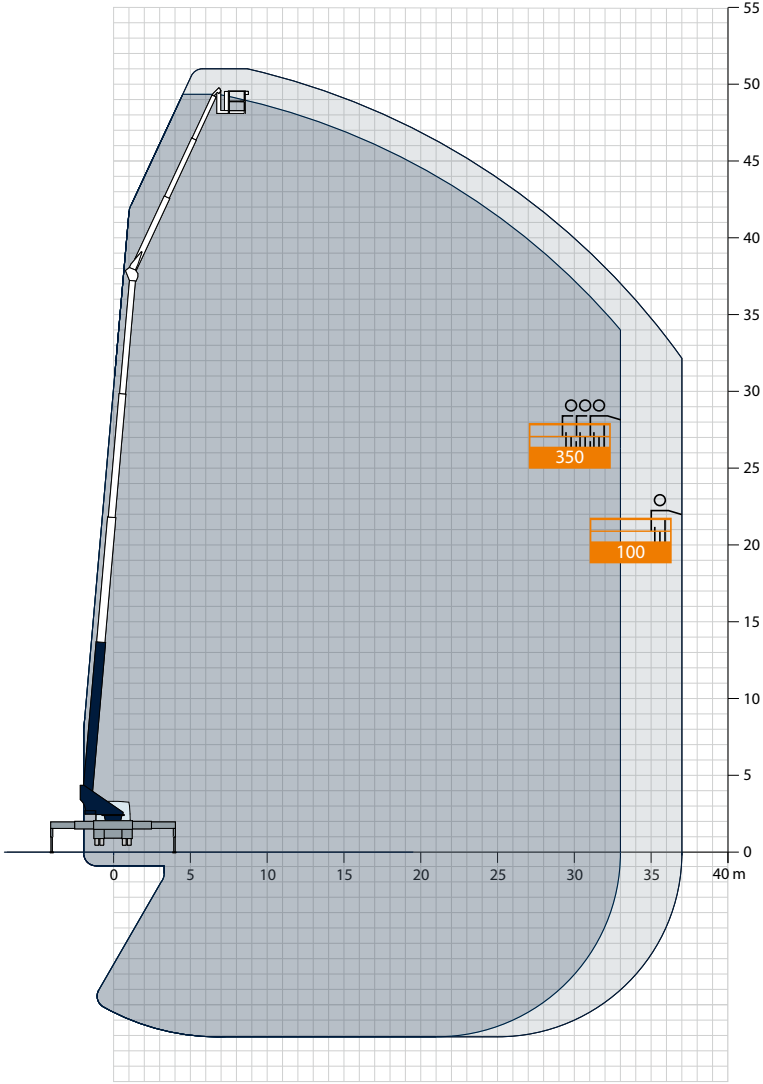
Non-rotating basket PK 250-1



All weights are in kg.  
Measurements can fluctuate slightly.

# Working range platform operation

Rotating basket PK 350-D



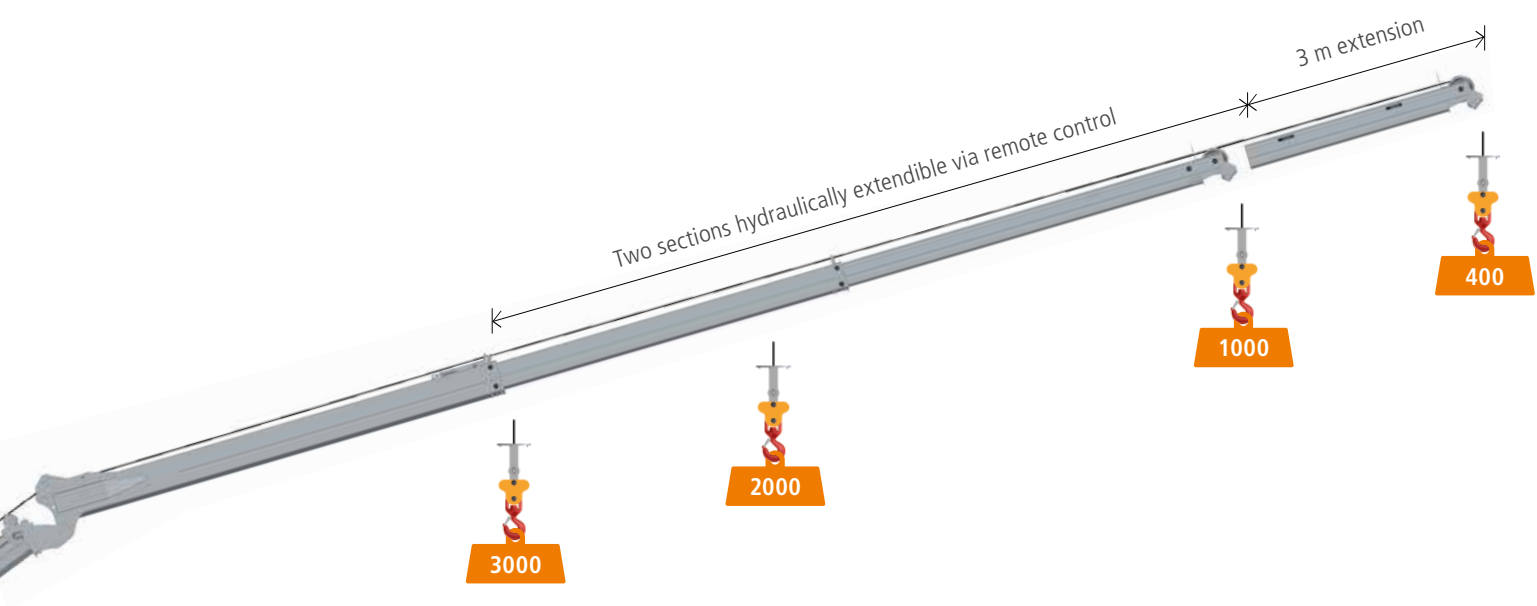
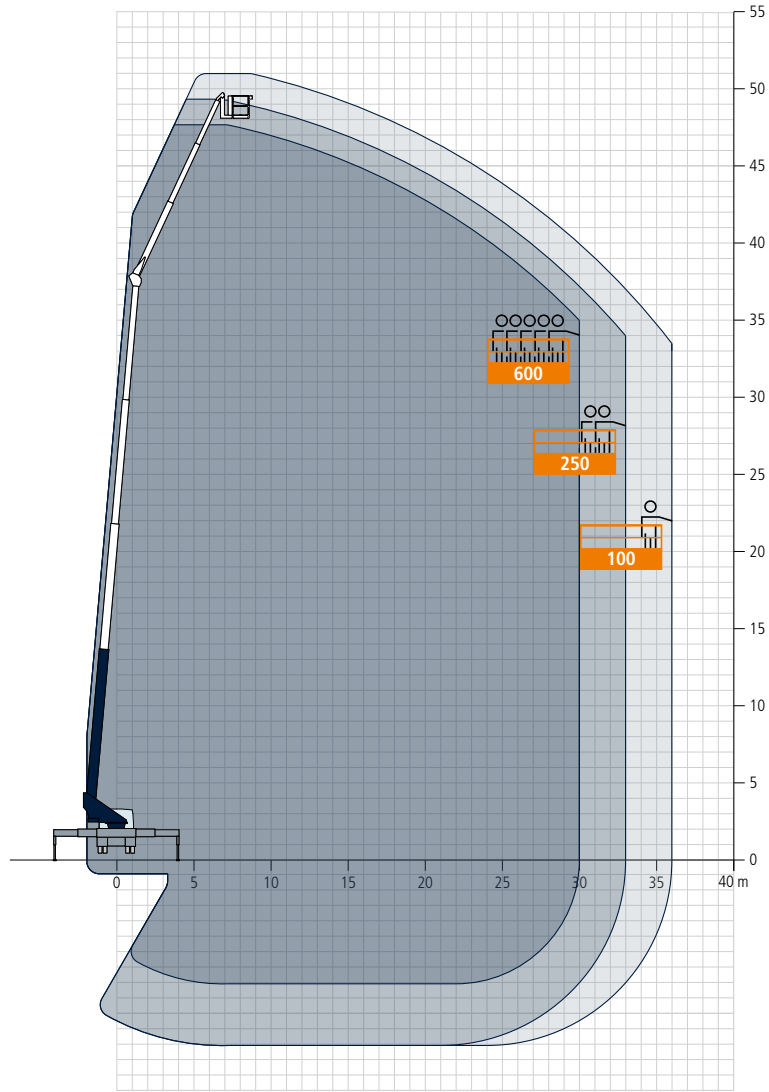
## Jib



All weights are in kg.  
Measurements can fluctuate slightly.

## Working range platform operation

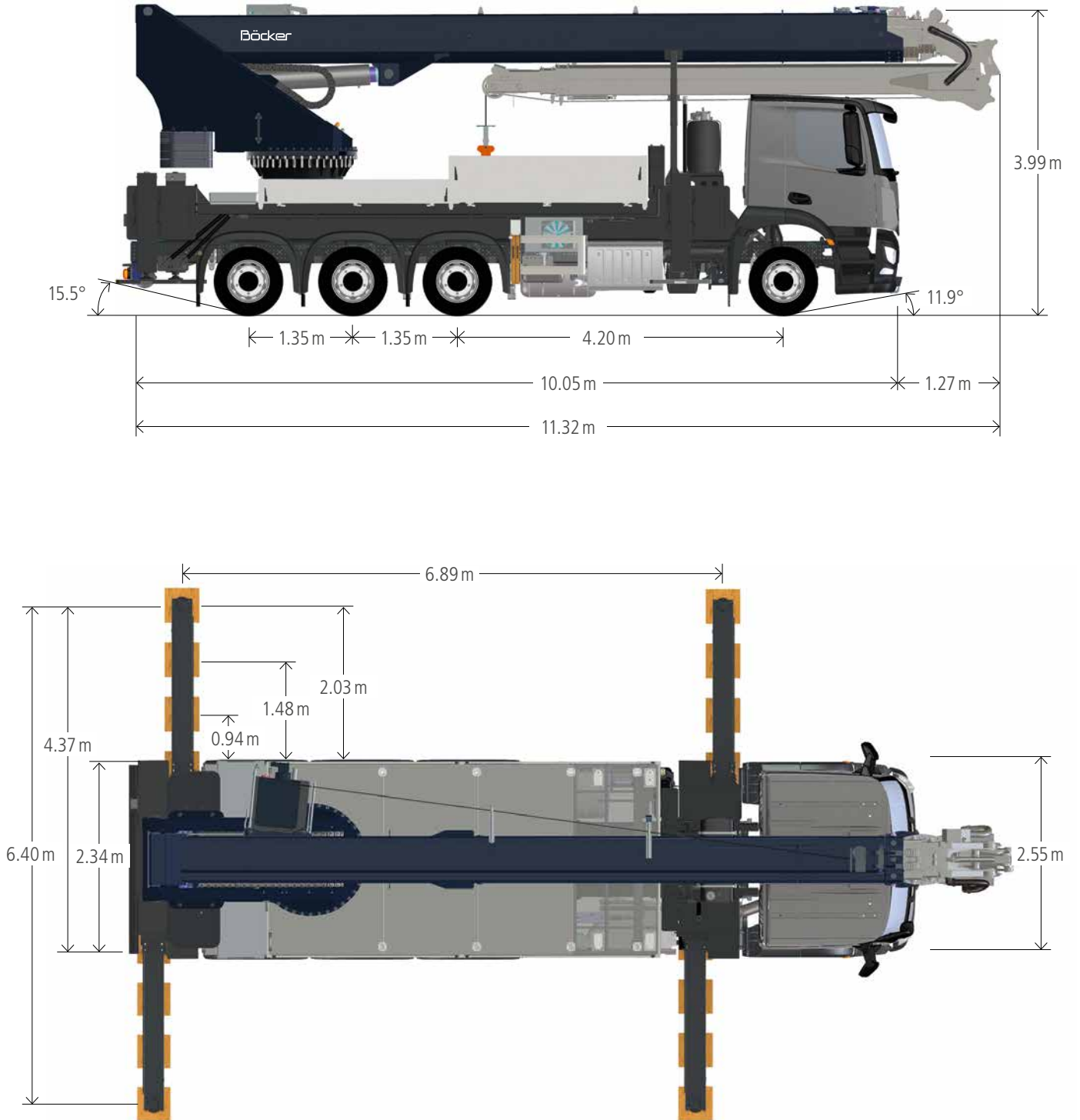
Rotating and extendible work basket PK 600-D



All weights are in kg.  
Measurements can fluctuate slightly.

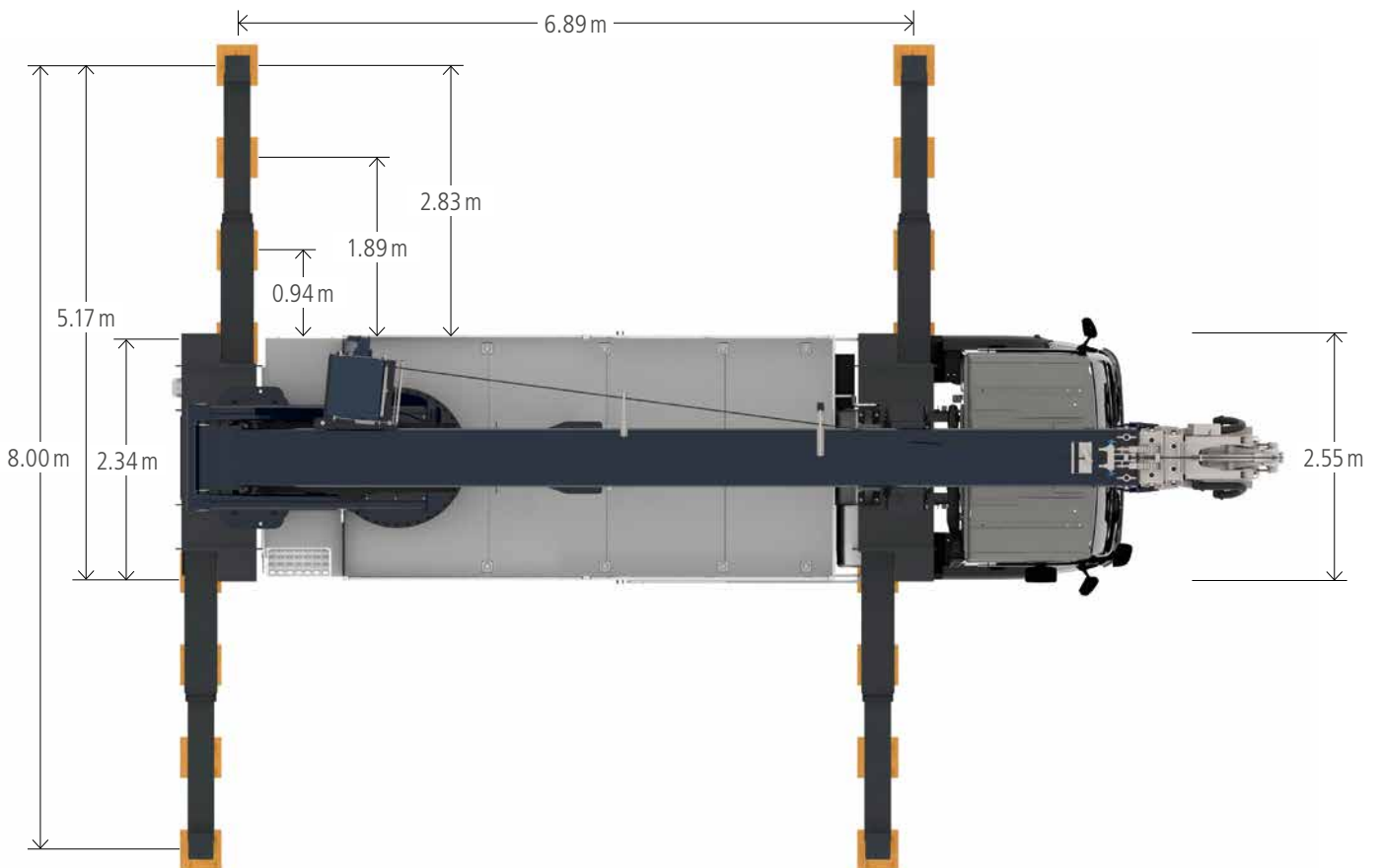
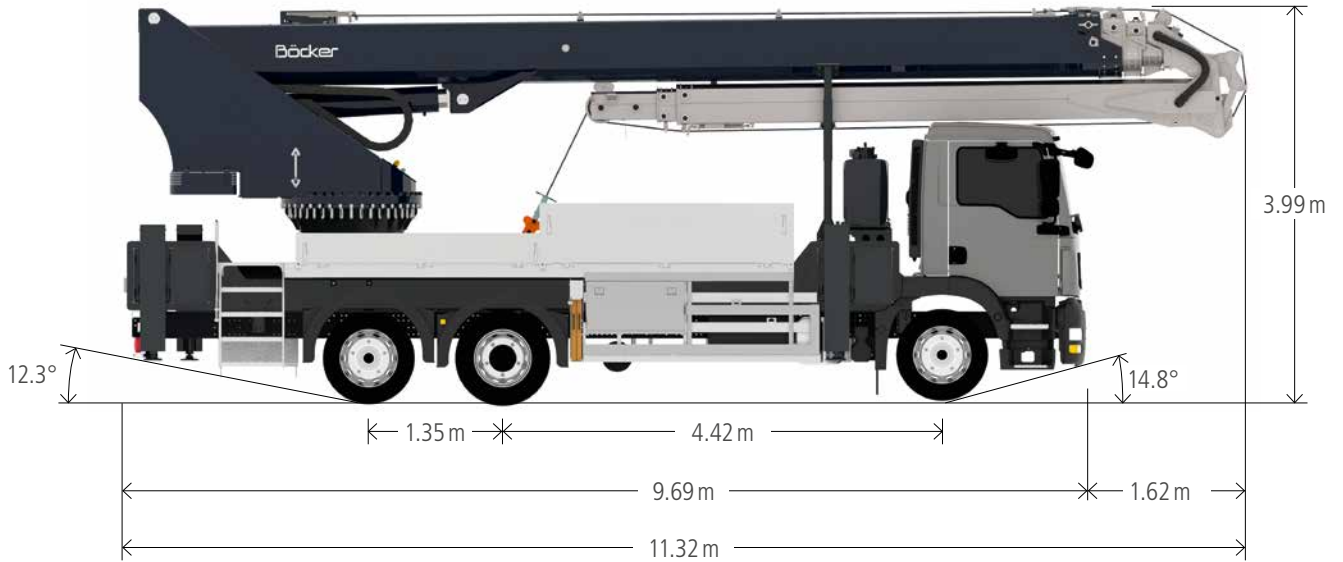
## Dimensions

4-axle chassis



# Dimensions

3-axle chassis



# Böcker

[www.boecker.de](http://www.boecker.de)

**Böcker Maschinenwerke GmbH**

Lippestr. 69-73  
59368 Werne

Fon +49 2389 79890  
Fax +49 2389 79899000  
[info@boecker.de](mailto:info@boecker.de)

Technical\_Information\_AK\_52\_EN\_0422