

# Trailer Crane AHK 36

## AHK 36e



### Technical Data

Permissible gross vehicle weight (t)	3.5
Max. payload (kg)	1,500 (optional 2,400)
Max. extension length (m)	34.0 (optional 36.0)
Working height up to jib (m)	22.7
Jib extendable (m)	4.9 / 8.0 / 11.1 (opt. 13.1)
Jib payload (kg)	2,400 / 1,500 / 800 / 500 / (250)
Boom angle (degrees)	85
Jib angle (degrees)	162
Pivoting range (degrees)	endless
Hook speed (m/min)	50
Range for crane operation at 250 kg (m)	23.1 (23.5)
Range for crane operation at 500 kg (m)	16.6
Range for crane operation at 800 kg (m)	12.9
Range for crane operation at 1 t (m)	10.0
Range for crane operation at 1,5 t (m)	7.5
Range for crane operation at 2 t (m)	5.4
Range for platform operation at 250 kg (m)	15.8
Range for platform operation at 100 kg (m)	18.8
Working height in platform operation max. (m)	29.0
Drive	Petrol engine / Diesel / 400V hybrid* / 230V with battery

All rights reserved for changes. All specified values are maximum values.  
 \* in combination with petrol engine only, <sup>1)</sup> Please check availability in your country

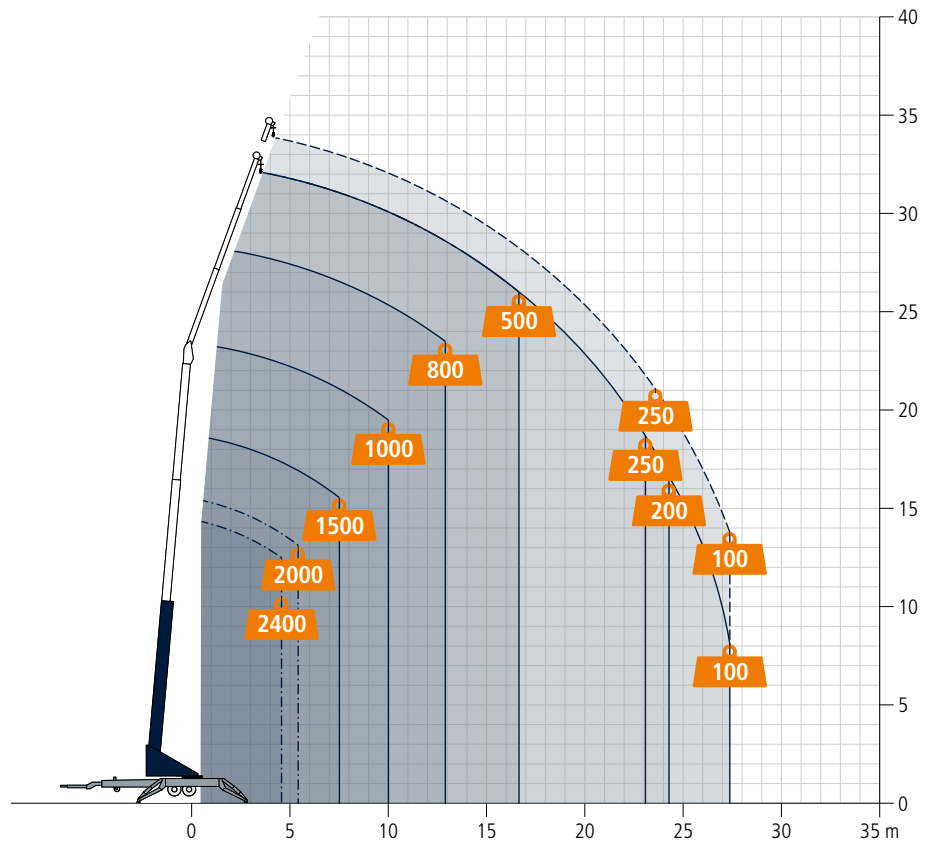
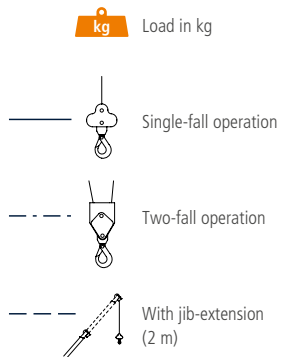


Where 400 V high-voltage current was needed in the past, the AHK 36e is the first battery-powered trailer crane on the market to charge at any conventional household socket with 230 volts. Environmentally friendly and self-sufficient work with free choice of location is thus guaranteed. The new AHK 36e not only makes lifting loads more sustainable, it also offers all the proven advantages of the class leader among trailer cranes. Powered by an 8 kW electric motor, it lifts up to 2,400 kg with low emissions and low noise and reaches extension lengths of up to 36 m with a permissible gross weight of only 3.5 t. The crane is equipped with folding slewing outriggers, auto-levelling, slew and boom angle limitation as well as go-home function. The Easy-Lock system allows the new battery trailer crane to be converted into a working platform in no time. The trailer crane is also available with personal safety mode<sup>1)</sup> for fall protection.

Available with **Böcker**Connect

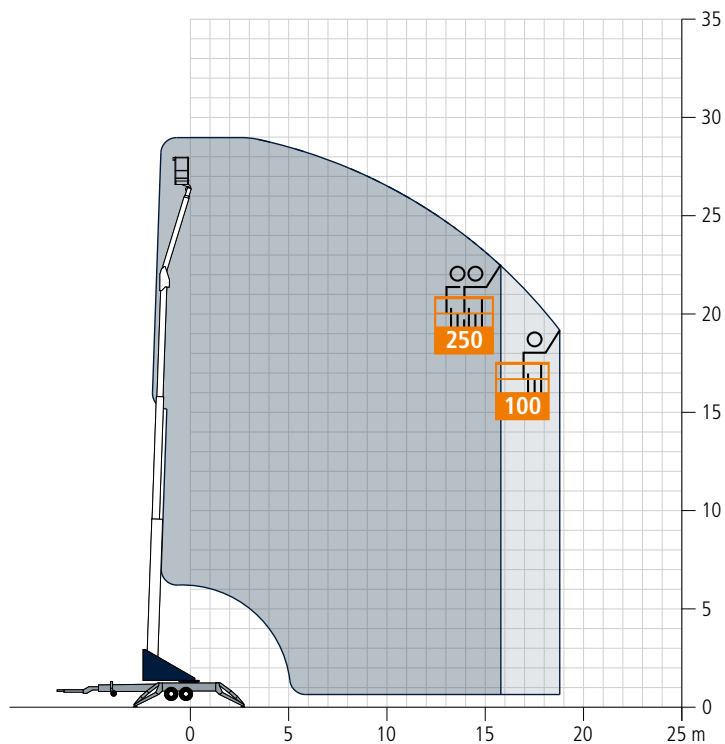
**Böcker**  
 MY WAY TO THE TOP

### Working range crane operation



### Working range platform operation

Rotating basket PK 250-D

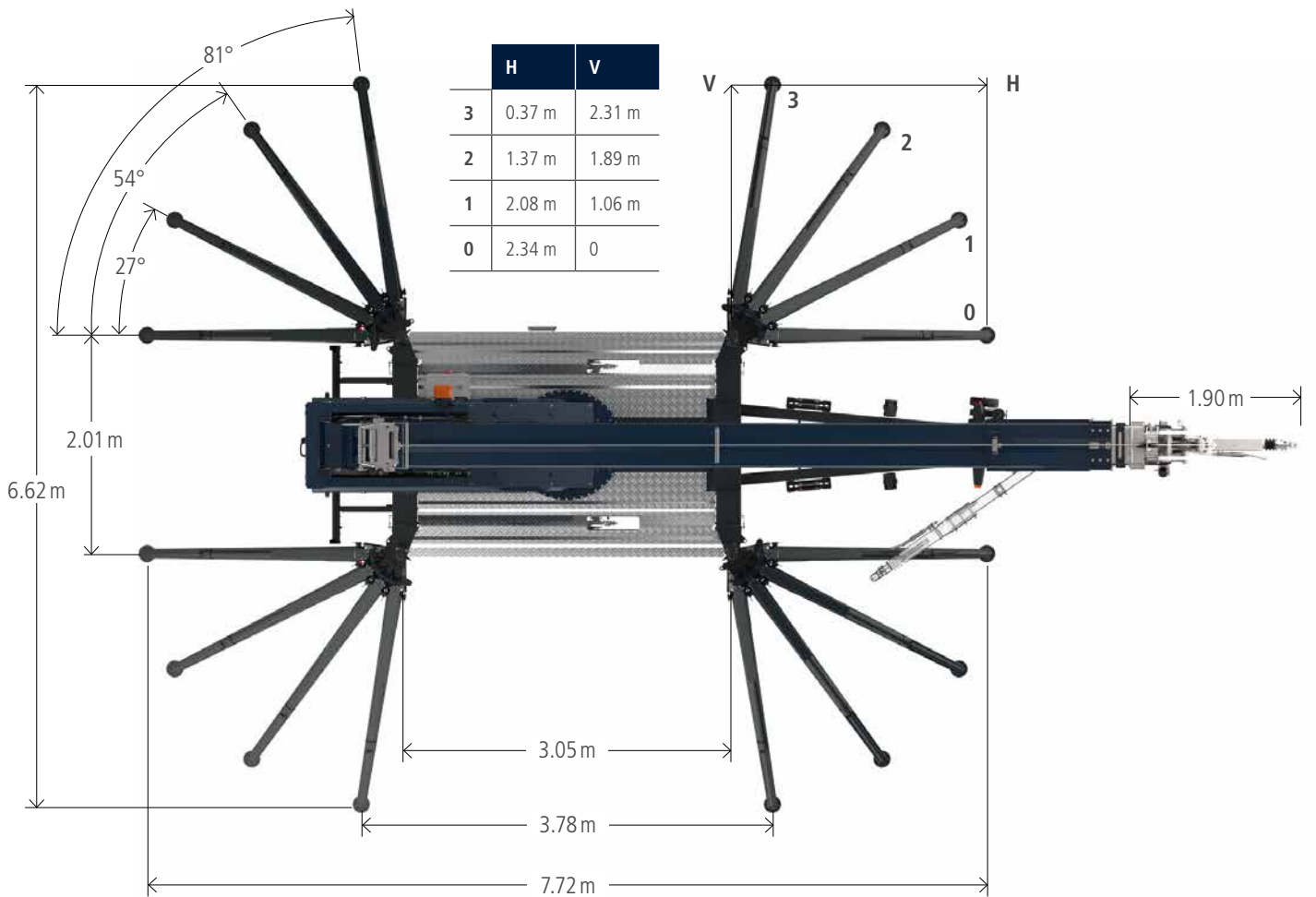


All weights are in kg.  
Measurements can fluctuate slightly.

# Dimensions



2.84 m



All weights are in kg.  
Measurements can fluctuate slightly.

**Böcker**

[www.boecker.de](http://www.boecker.de)

**Böcker Maschinenwerke GmbH**

Lippestr. 69-73  
59368 Werne

Fon +49 2389 79890  
Fax +49 2389 79899000  
[info@boecker.de](mailto:info@boecker.de)