

Trailer Crane AHK 30, AHK 30 KS

AHK 30e KS



Technical Data

Permissible gross vehicle weight (t)	3.5
Max. payload (kg)	1,500
Max. extension length (m)	30.0
Working height up to jib (m)	22.4
Jib extendable (m)	4.8 / 7.4 / 9.1
Jib payload (kg)	1,500 / 350 / 250
Boom angle (degrees)	85
Jib angle (degrees)	158
Pivoting range (degrees)	+/- 310 / endless
Hook speed (m/min)	50
Range for crane operation at 250 kg (m)	21.1
Range for crane operation at 500 kg (m)	13.9
Range for crane operation at 800 kg (m)	9.5
Range for crane operation at 1 t (m)	8.1
Range for crane operation at 1.5 t (m)	3.6
Range for crane operation at 2 t (m)	-
Range for platform operation at 250 kg (m)	-
Range for platform operation at 100 kg (m)	-
Working height in platform operation max. (m)	-
Drive AHK 30	Petrol engine / Diesel
Drive AHK 30 KS	Petrol engine / Diesel / 400V hybrid* / 230V with battery



AHK 30e KS



AHK 30 KS



AHK 30 KS

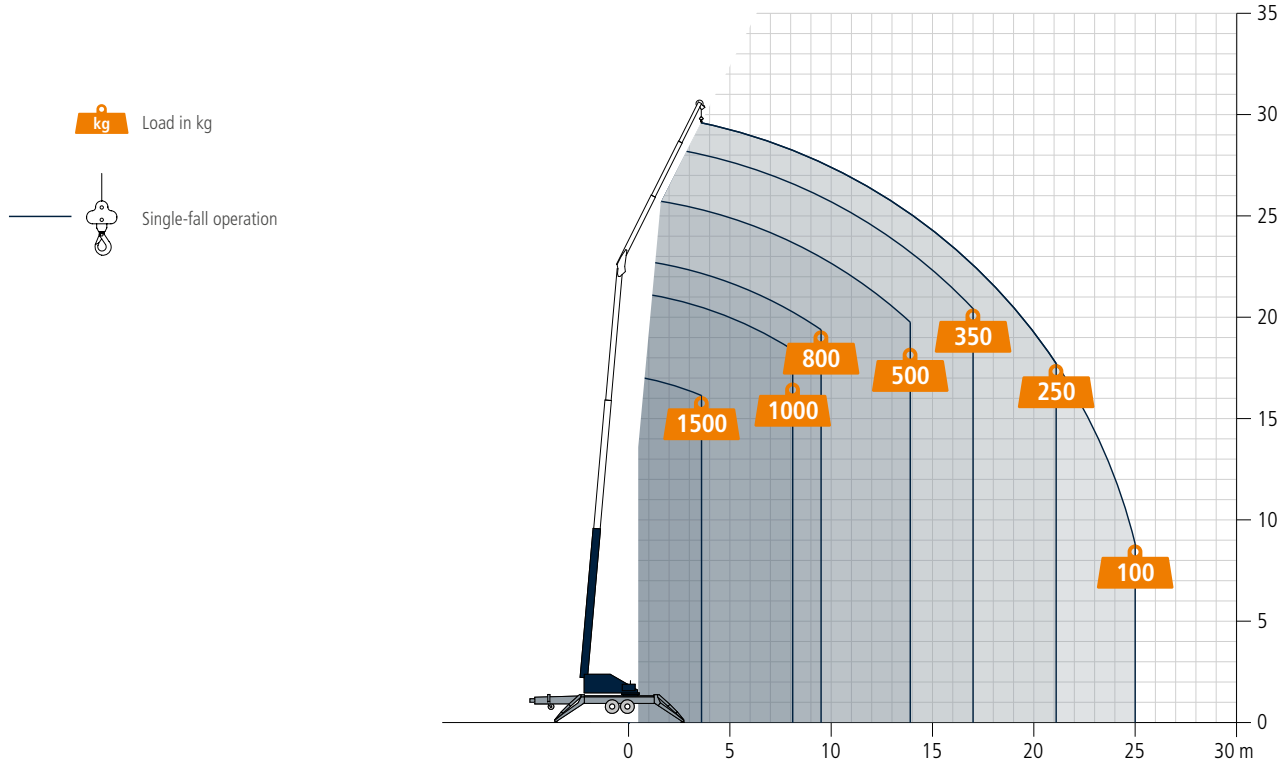


Where 400 V high-voltage current was required in the past, the AHK 30e KS will charge at any conventional household socket with 230 volts. Environmentally friendly and self-sufficient work with free choice of location is thus guaranteed. With the AHK 30e KS battery trailer crane, you benefit not only from maximum sustainability and flexibility, but also from the best economy. Operators of the KS version will also appreciate the space-saving foldable drawbar as well as the folding and swivelling outriggers can be set up individually at various angles. These outriggers allow ground clearance up to 50 cm. The chassis with tandem axle ensures optimum distribution of the load on the ground. The crane is equipped with auto-levelling and automatic dismounting functions, as well as a sound-insulated petrol engine as standard.

AHK 30 KS available with BöckerConnect

Böcker
MY WAY TO THE TOP

Working range crane operation



AHK 30

with swivelling outriggers



AHK 30 KS, AHK 30e KS

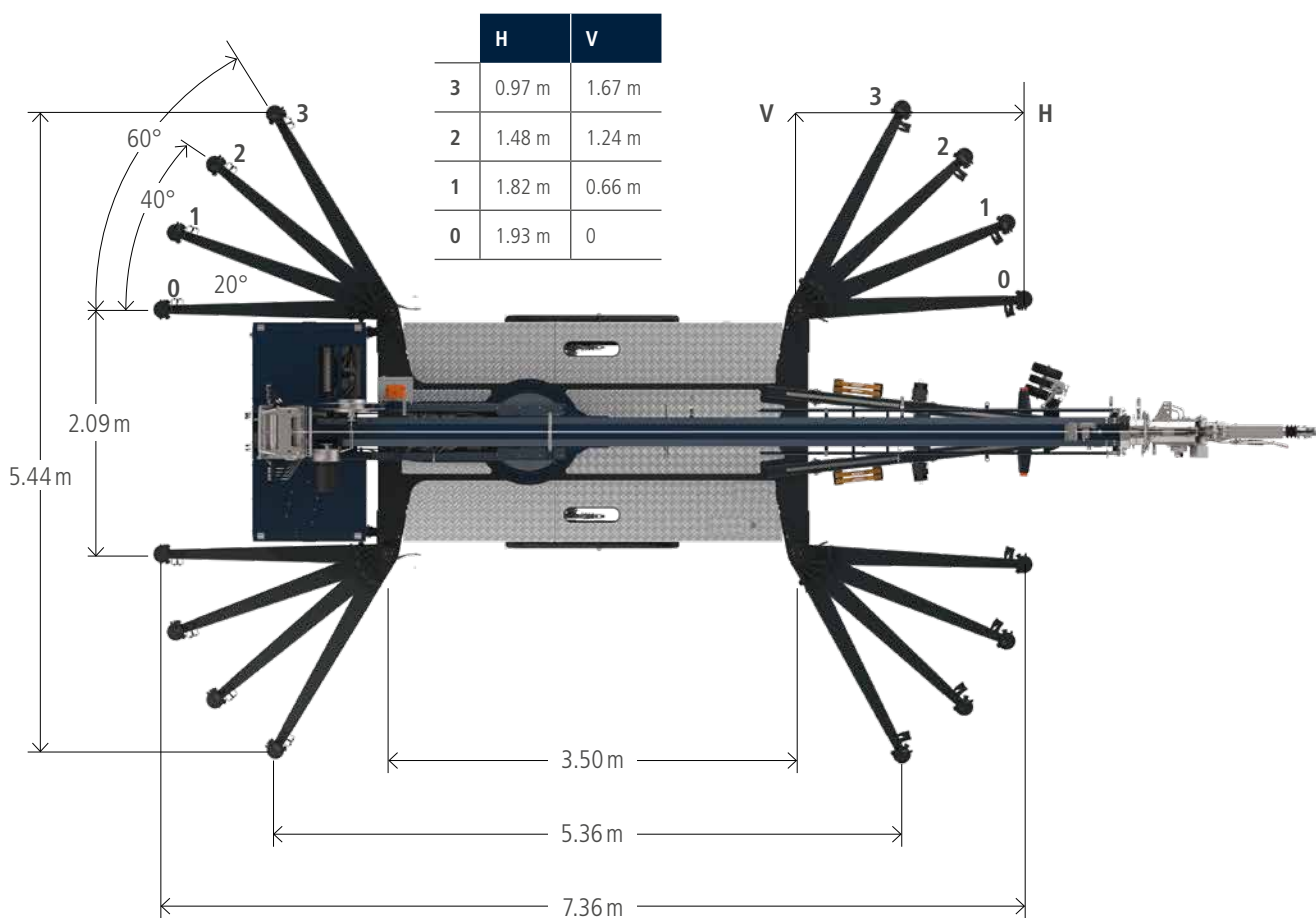
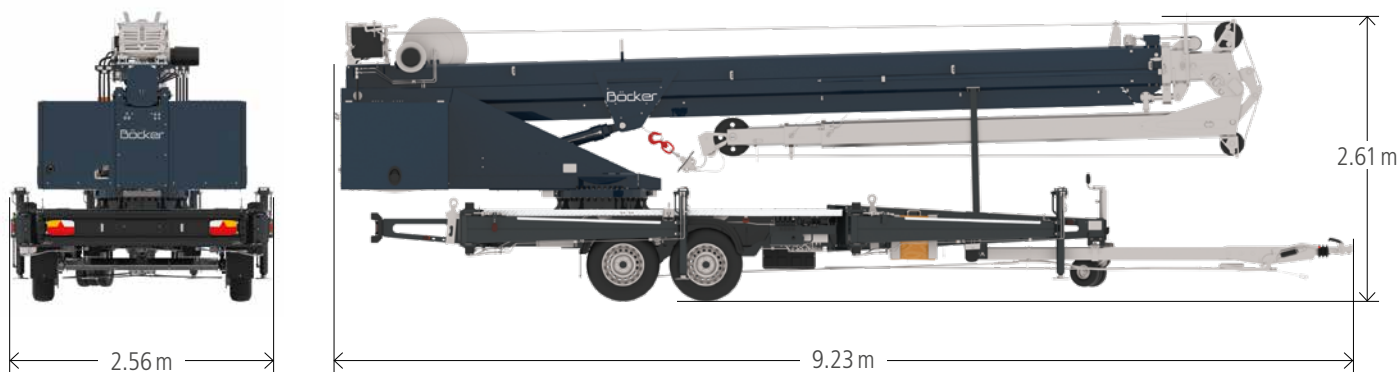
with swivelling drawbar and foldable swivelling outriggers



All weights are in kg.
Measurements can fluctuate slightly.

Dimensions

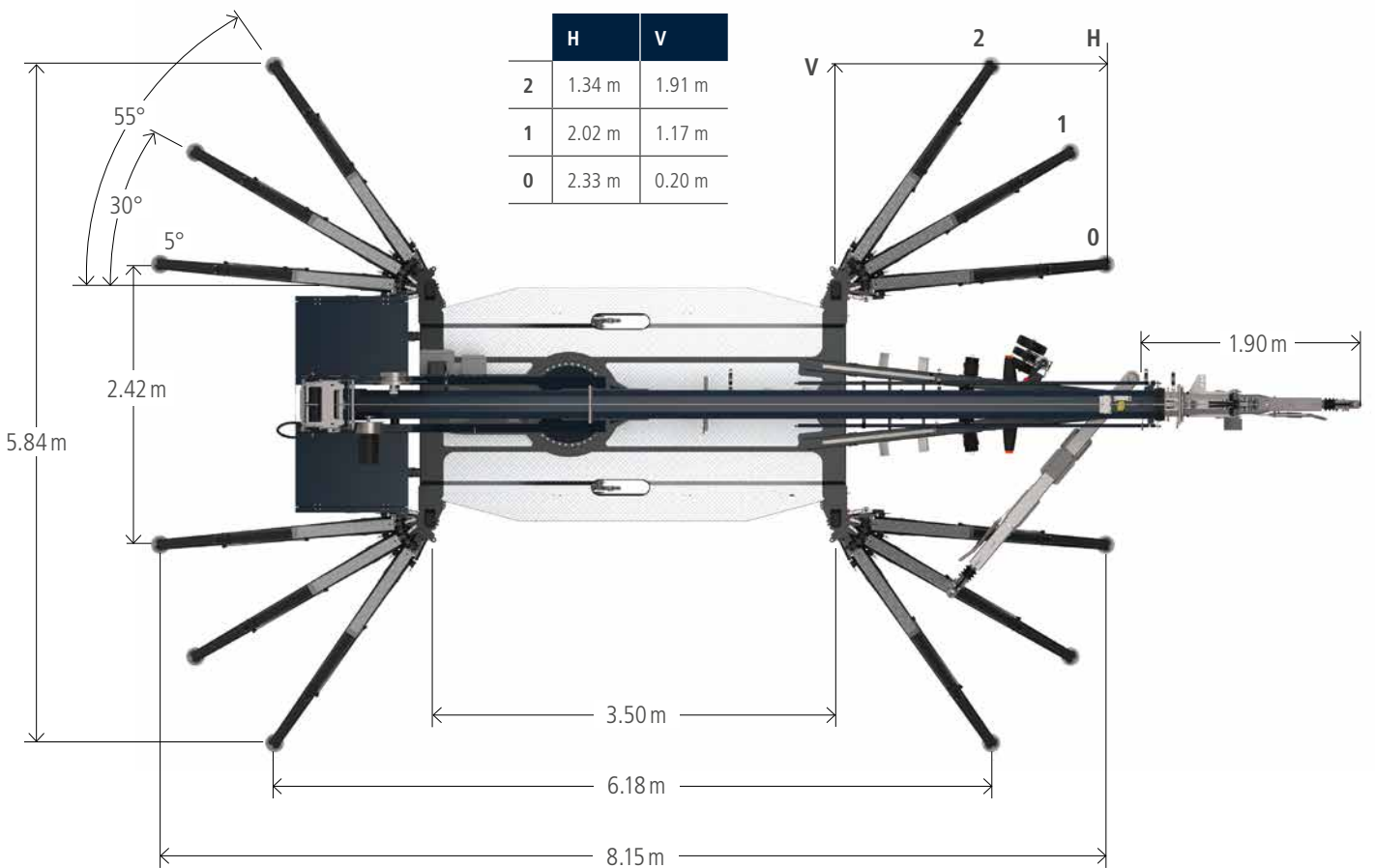
with swivelling outriggers



All weights are in kg.
Measurements can fluctuate slightly.

Dimensions

with swivelling drawbar and foldable swivelling outriggers



Böcker

www.boecker.de

Böcker Maschinenwerke GmbH

Lippestr. 69-73
59368 Werne

Fon +49 2389 79890
Fax +49 2389 79899000
info@boecker.de