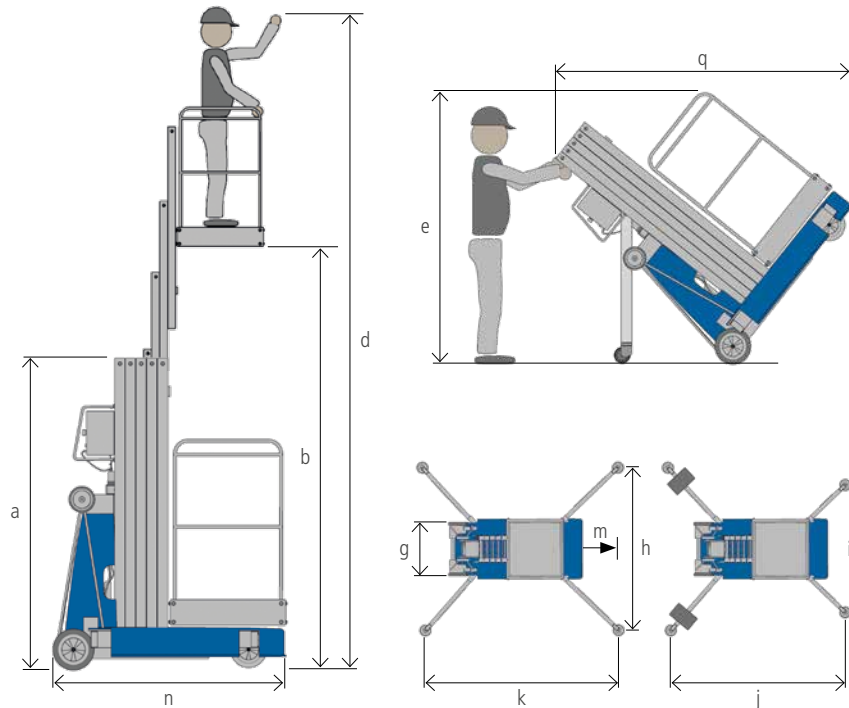


ALU-Personnel-Lift PHC and PH

Standard lift



| Model | | PHC 650 | PHC 800 | PHC 940 | PHC 1100 | PHC 1200 | PH 1300 |
|--|-------|---------------|-------------|---------------|--------------|--------------|---------------|
| Working height [m] | d | 6.60 | 8.00 | 9.45 | 10.85 | 11.90 | 12.80 |
| Platform height [m] | b | 4.60 | 6.00 | 7.45 | 8.85 | 9.90 | 10.80 |
| Payload [kg] | | 140 | 140 | 140 | 140 | 135 | 135 |
| Dimensions | | | | | | | |
| Overall height [m] | a | 1.98 | 1.98 | 1.98 | 1.98 | 1.98 | 2.30 |
| Width [m] | g | 0.77 | 0.77 | 0.77 | 0.77 | 0.77 | 0.77 |
| Length [m] | n | 1.28 | 1.32 | 1.38 | 1.44 | 1.44 | 1.44 |
| Length tilted [m] | q | – | – | – | – | – | 2.40 |
| Height tilted [m] | e | – | – | – | – | – | 1.98 |
| Footprint* indoors [m] | h x k | 1.25 x 1.28 | 1.40 x 1.39 | 1.525 x 1.495 | 1.73 x 1.775 | 2.04 x 2.045 | 2.175 x 2.165 |
| Footprint* outdoors [m] | h x k | 2.035 x 1.945 | 2.42 x 2.28 | 2.805 x 2.615 | 3.31 x 3.155 | 3.67 x 3.47 | 3.725 x 3.515 |
| Footprint* outdoors in front of wall [m] | i x j | 1.25 x 1.615 | 1.40 x 1.85 | 1.525 x 2.075 | 1.73 x 2.49 | 2.04 x 2.785 | 2.175 x 2.865 |
| Wall clearance [mm] | m | 85 | 90 | 80 | 210 | 335 | 395 |
| Unladen weight without attachments [kg] | | 258 | 284 | 309 | 336 | 358 | 399 |
| Unladen weight with attachments [kg] | | 301 | 310 | 339 | 371 | 401 | 441 |
| Extending speed approx. [sec] | | 28 | 26 | 21 | 26 | 26 | 35 |