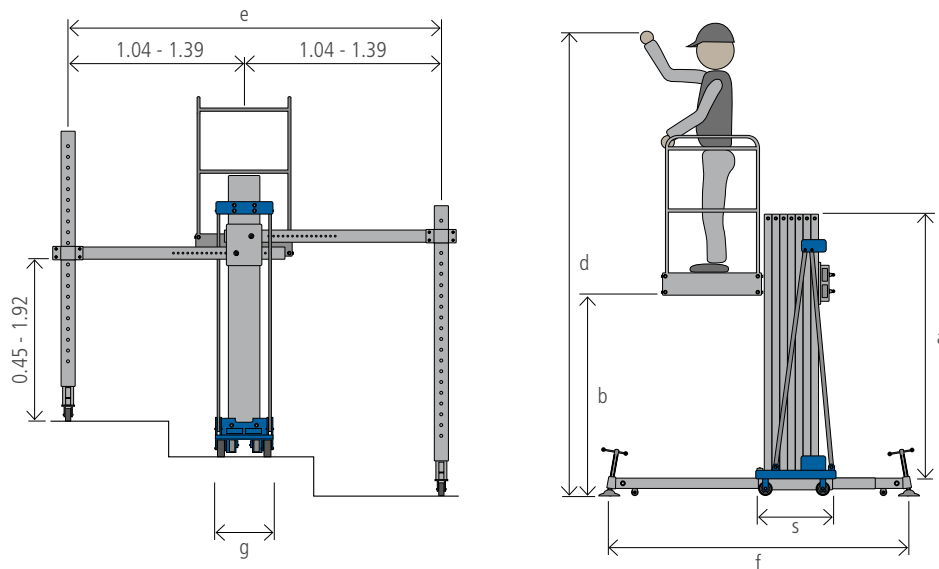


ALP-Personnel-Lift PHC 1000 EU



Model		PHC 1000 EU	PHC 1000 EU with extension
Working height [m]	d	10.5	10.5
Platform height [m]	b	8.5	8.5
Payload [kg]		140	140
Dimensions			
Overall height [m]	a	2.03	2.03
Width mast system [m]	g	0.41	0.71
Length mast system [m]	s	0.59	1.15
Footprint inside assembled [m]	e x f	2.08 - 2.78 x 2.63	2.09 x 1.91
Wall clearance [cm]		0.45	0.40
Net weight without attachments and ballast/counter weights [kg]		218	277
Net weight with attachments (basket, supports, drive unit) without ballast/counter weights [kg]		379	396
Weight of ballast/counter weights [kg]		160	-
Extending speed ca. [sek]		26	26