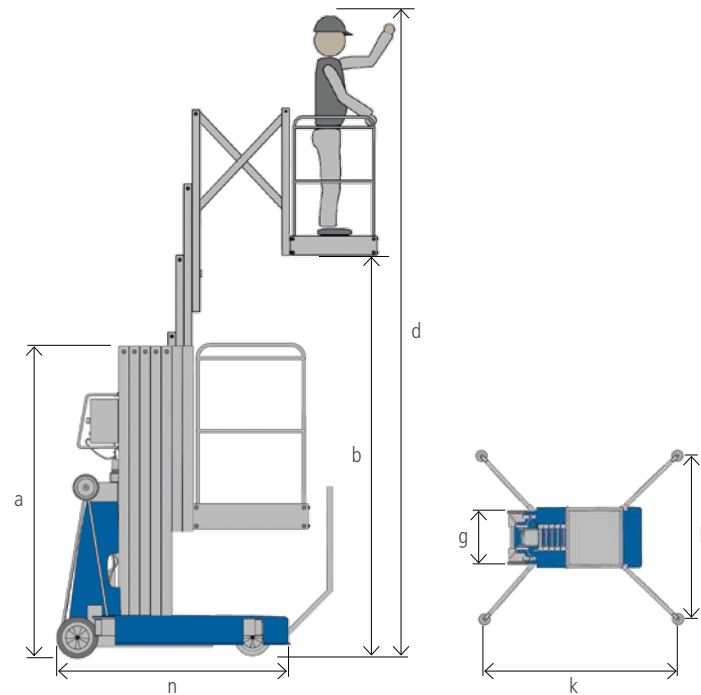


# ALP-Personnel-Lift PHCI-XK

Standard lift with extendable basket



Model		PHCI-XK 940
Working height [m]	d	8.92
Platform height [m]	b	6.92
Payload [kg]		136
<b>Dimensions</b>		
Overall height [m]	a	1.98
Width [m]	g	0.77
Length [m]	n	1.60
Footprint* indoors [m]	h x k	1.53 x 1.50
Footprint* outdoors [m]**	h x k	2.74 x 2.55
Net weight without attachments [kg]		457
Weight of ballast/counter weights [kg]		90

**Böcker Maschinenwerke GmbH**  
 Lippestr. 69-73 | 59368 Werne  
 Fon +49 2389 79890  
 info@boecker.de  
[www.boecker.de](http://www.boecker.de)

\* Measurements up to the centre of the support plate (diameter 14 cm)  
 \*\* The lateral extension of the basket is not allowed during outdoor operation  
 Subject to modifications to construction, weight and dimensions.  
 All rights reserved for changes.

**Böcker**  
 MY WAY TO THE TOP