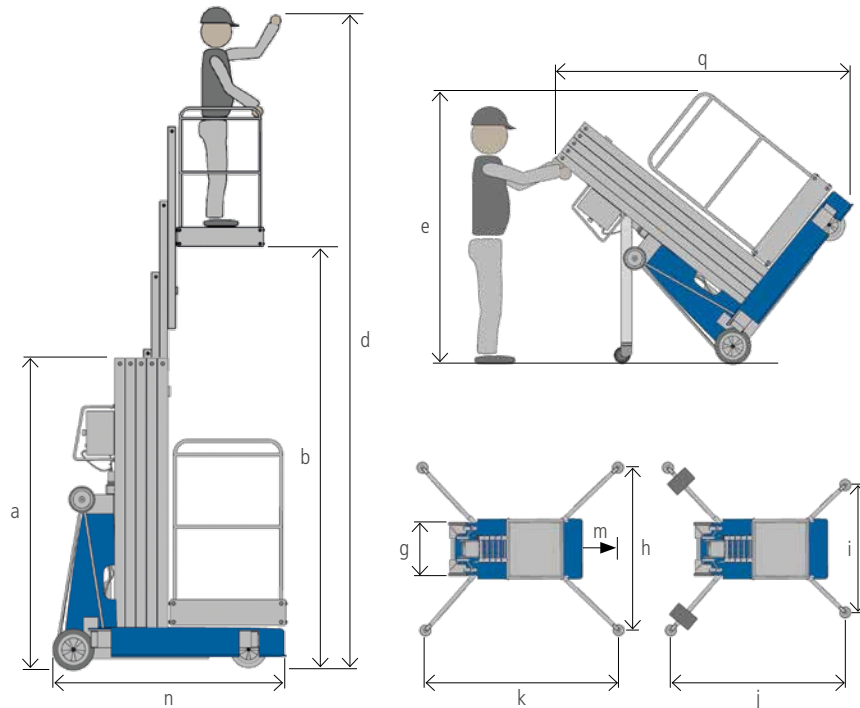


ALP-Personnel-Lift PHC and PH

Standard lift



Model		PHC 650	PHC 800	PHC 940	PHC 1100	PHC 1200	PH 1300
Working height [m]	d	6.60	8.00	9.45	10.85	11.90	12.80
Platform height [m]	b	4.60	6.00	7.45	8.85	9.90	10.80
Payload [kg]		140	140	140	140	135	135
Dimensions							
Overall height [m]	a	1.98	1.98	1.98	1.98	1.98	2.30
Width [m]	g	0.77	0.77	0.77	0.77	0.77	0.77
Length [m]	n	1.28	1.32	1.38	1.44	1.44	1.44
Length tilted [m]	q	–	–	–	–	–	2.40
Height tilted [m]	e	–	–	–	–	–	1.98
Footprint* indoors [m]	h x k	1.25 x 1.28	1.40 x 1.39	1.53 x 1.50	1.73 x 1.78	2.04 x 2.05	2.18 x 2.17
Footprint* outdoors [m]	h x k	2.04 x 1.95	2.42 x 2.28	2.81 x 2.62	3.31 x 3.16	3.67 x 3.47	3.73 x 3.52
Footprint* outdoors in front of wall [m]	i x j	1.25 x 1.62	1.40 x 1.85	1.53 x 2.08	1.73 x 2.49	2.04 x 2.79	2.18 x 2.87
Wall clearance [mm]	m	85	90	80	210	335	395
Unladen weight without attachments [kg]		258	284	309	336	358	399
Unladen weight with attachments [kg]		301	310	339	371	401	441
Extending speed approx. [sec]		28	26	21	26	26	35