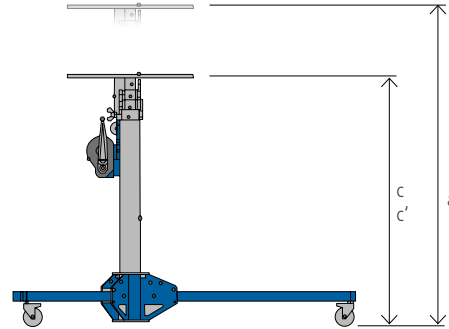
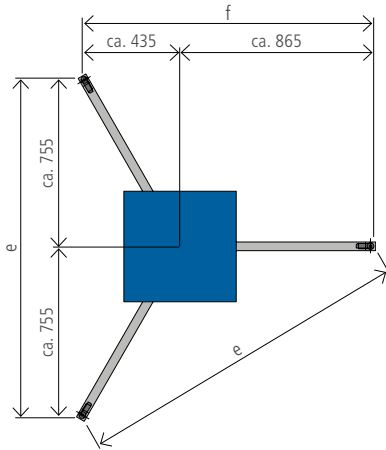


ALU-Material-Lift ML



Model		ML¹⁾
		350
Carrying capacity [kg]		100
Lifting height max. load fork top [mm]	a	3370
Lifting height max. load fork bottom [mm]		–
Lifting height min. load fork bottom [mm]		–
Load fork dimensions		
Length [mm]		–
Width [mm]		–
Wall clearance load fork [mm]		–
Dimensions for use		
Mast height [mm]	c	1000
Chassis width [mm]	f	1300
Chassis length [mm]	e	1510
Width with lateral outriggers [mm]		–
Transport dimensions		
Height [mm]	c'	1000
Width [mm]		360
Length [mm]		400
Unladen weight		
without lateral outriggers and with fixed attachments [kg]		39
with lateral outriggers and fixed attachments [kg]		–