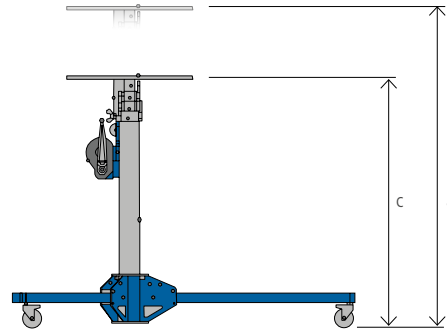
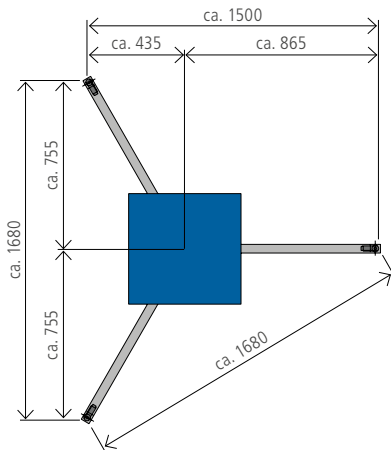


ALP-Material-Lift ML



| | | |
|--|---|------------------------|
| Model | | ML¹⁾ |
| | | 350 |
| Carrying capacity [kg] | | 100 |
| Lifting height max. load fork top [mm] | a | 3370 |
| Lifting height max. load fork bottom [mm] | | – |
| Load fork dimensions | | |
| Length [mm] | | – |
| Width [mm] | | – |
| Dimensions for use | | |
| Chassis width [mm] | | 1500 |
| Chassis length [mm] | | 1680 |
| Width with lateral outriggers [mm] | | – |
| Transport dimensions | | |
| Height of mast [mm] | c | 1000 |
| Width [mm] | | 360 |
| Length [mm] | | 400 |
| Net weight | | |
| without lateral outriggers and with fixed attachments [kg] | | 39 |
| with lateral outriggers and fixed attachments [kg] | | – |