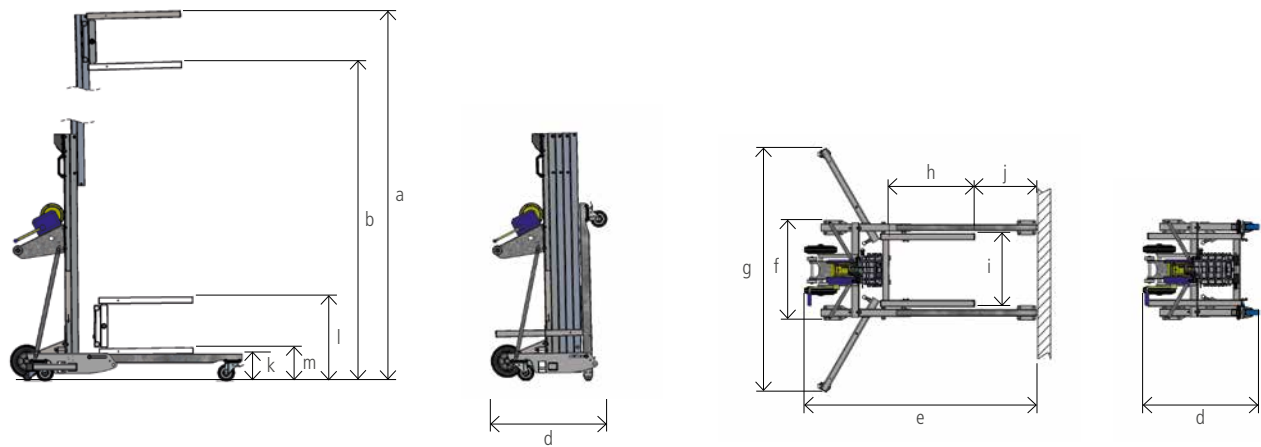


# ALP-Material-Lift LM S4.2



Model	LM S4.2 <sup>1)</sup>						
		335	400	480	575	620*	750*
Carrying capacity [kg]		300	300	300	300	300	300
Lifting height max. load fork top [mm]	a	3350	4000	4790	5745	6230	7510
Lifting height max. load fork bottom [mm]	b	2960	3610	4400	5355	5840	7120
Lifting height min. load fork top [mm]	l	660	660	650	650	660	660
Lifting height min. load fork bottom [mm]	k	270	270	260	260	270	270
Height front parts [mm]	m	210	210	210	210	210	210
<b>Load fork dimensions</b>							
Length [mm]	h	650	650	650	650	650	650
Width [mm]	i	560	560	560	560	560	560
Wall clearance load fork [mm]	j	280	280	420	420	365	485
<b>Dimensions for use</b>							
Chassis width [mm]	f	760	760	760	760	760	760
Chassis length [mm]	e	1560	1560	1760	1760	1760	1900
Width with lateral outriggers [mm]	g	1865	1865	1865	1865	1870*	1870*
<b>Transport dimensions</b>							
Height of mast [mm]	c	1895	2215	1900	2215	1900	2215
Width [mm]	f	760	760	760	760	760	760
Length [mm]	d	980	980	910	915	900	890
<b>Net weight</b>							
without lateral outriggers and with fixed attachments [kg]		133	140	155	162	172	186
with lateral outriggers and fixed attachments [kg]		144	151	166	173	183	197
Weight of ballast/counter weights [kg]		-	-	-	-	-	-