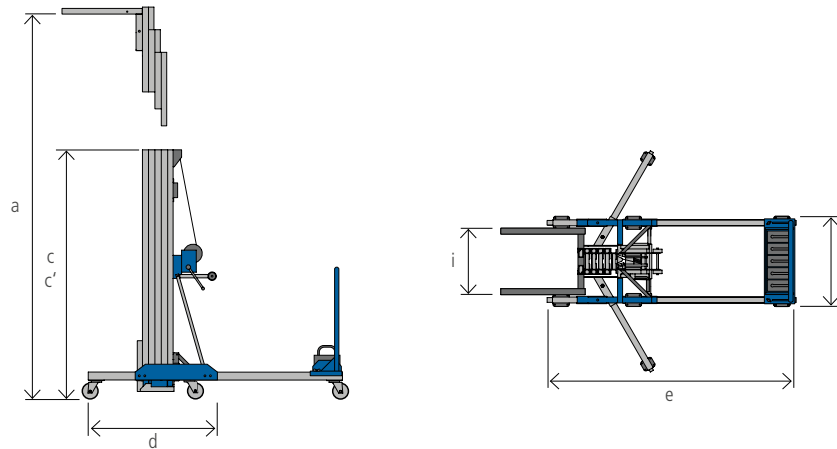


# ALP-Material-Lift LMX W



Model		LMX <sup>1)3)</sup>
		<b>500 W*</b>
Carrying capacity [kg]		500
Lifting height max. load fork top [mm]	a	4800
Lifting height max. load fork bottom [mm]		4350
Lifting height min. load fork top [mm]		650
Lifting height min. load fork bottom [mm]		100
Front section height [mm]		240
<b>Load fork dimensions</b>		
Length [mm]		650
Width [mm]	i	560
Wall clearance load fork [mm]		-395
<b>Dimensions for use</b>		
Mast height [mm]	c	1980
Chassis width [mm]	f	790
Chassis length [mm]	e	1910
Width with lateral outriggers [mm]		1920
<b>Transport dimensions</b>		
Height [mm]	c'	1980
Width [mm]	f	760
Length [mm]	d	950
<b>Unladen weight</b>		
Without lateral outriggers and with fixed attachments [kg]		253
With lateral outriggers and fixed attachments [kg]		266
Weight of ballast weights [kg]		200