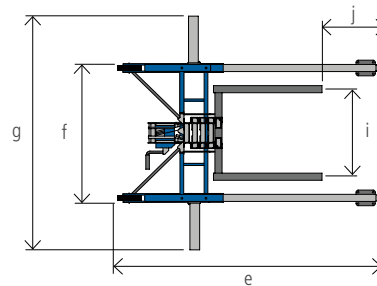
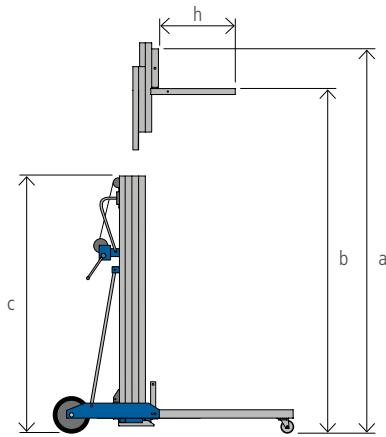


ALP-Material-Lift LMJ



Model		LMJ¹⁾
		390
Carrying capacity [kg]		120
Lifting height max. load fork top [mm]	a	3890
Lifting height max. load fork bottom [mm]	b	3560
Load fork dimensions		
Length [mm]	h	500
Width [mm]	i	450
Wall clearance load fork [mm]	j	220
Dimensions for use		
Chassis width [mm]	f	688
Chassis length [mm]	e	1185
Width with lateral outriggers [mm]	g	1340
Transport dimensions		
Height of mast [mm]	c	1650
Width [mm]	f	688
Length [mm]	d	625
Net weight		
without lateral outriggers and with fixed attachments [kg]		55
with lateral outriggers and fixed attachments [kg]		57